

Description:

Rainwater filter with integrated dirt retention basket for installation into the ground before the rainwater tank.

The dirt basket made of stainless steel can be removed easily with the removal handle.

The 3P Attenuation and Infiltration Filter is ideal for systems which use the cleaned water for flushing the toilet, washing machine and for watering the garden and where the rainwater runoff has to be infiltrated. That means where no connection with a sewer is possible for draining rainwater runoff or the runoff can only be led to the sewer by means of a retention regulator.

The two upper adapters DN 100 can be used as inlets or also optionally as an emergency overflow.

The lower adapter is used as inlet to the rainwater tank.

Connection capacity:
for roof areas up to 213 m²

All connections: DN 100

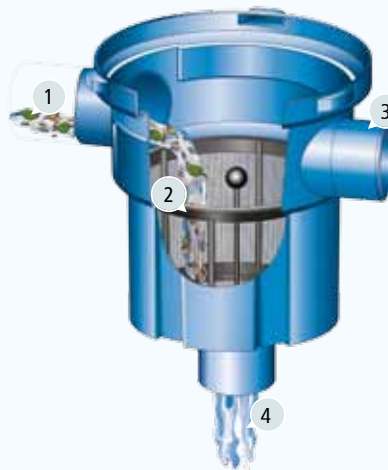
The cleaned water can be used for toilet flushing, washing machine and for garden watering

The filter has to be cleaned depending on the contamination several times during the year



How it works:

1. Rainwater is led through the adapter DN 100
2. The dirt is detained in the dirt retention basket made of stainless steel, the basket has to be cleaned if necessary
3. One inlet DN 100 can also be used as an emergency overflow
4. Cleaned water flows over the inlet DN 100 into the rainwater tank



Technical Data:

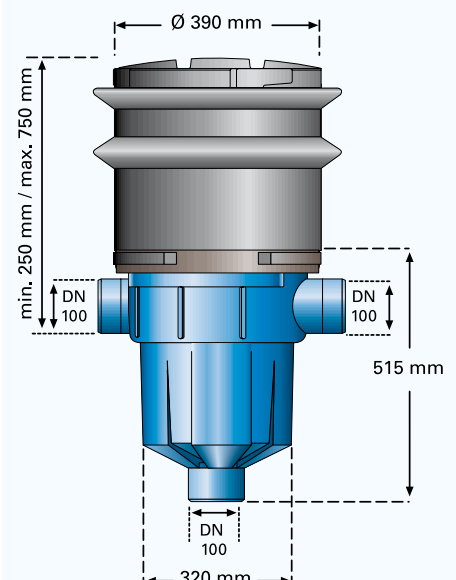
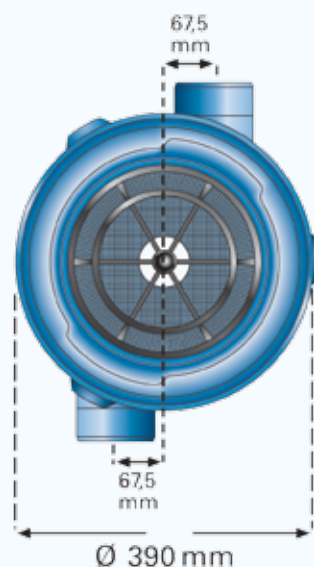
Rainwater filter according to DIN 1989-2, Typ B

Connection inlet: 2 x DN 100
Outlet to storage: DN 100

Connection capacity:
for roof areas up to 213 m²

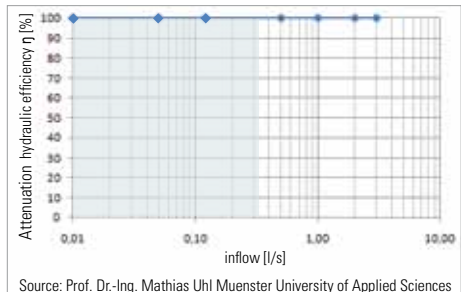
Housing material: Polyethylene
Telescopic extension: Polyethylene
Material filter basket: Stainless steel 1.4301
Mesh size: 0,55 mm

Weight: 8 kg





Example 1:
Installation above an infiltration element



Source: Prof. Dr.-Ing. Mathias Uhl Muenster University of Applied Sciences

80% of the average intensity of rainfall in Germany is under 15 l/(sxha), resulting a volume flow rate of 0,32 l/s with a roof area of 213 m².

Diameter of tube	maximum flow rate	connectable area max. 200 l/(sxha)	connectable area max. 300 l/(sxha)
DN	l/s	m²	m²
100	6,4	320	213

Text for invitation of tenders:

Pos.	Quantity	Article	Price in €
1.1	_____	3P Attenuation and Infiltration Filter Filter for installation in the ground Inlet rainwater: 2 x DN 100, Outlet to storage: DN 100 Filter insert basket made of stainless steel, Mesh size: 0,55 mm, with removal handle Connection capacity according to DIN 1986: for roof areas up to 213 m²	_____
1.2	_____	3P Telescopic extension for 3P Attenuation and Infiltration Filter Plastic (PE) shaft for the installation of 3P Attenuation and Infiltration Filter Telescopic extension can be directly connected with the 3P Attenuation and Infiltration Filter with a bayonet fitting Height adjustable until 75 cm	_____

Accessory 1:

3P Telescopic extension for 3P Attenuation and Infiltration Filter
Art.-Nr. 1000560

Accessory 2:

3P Locking lid for 3P Attenuation and Infiltration Filter
Art.-Nr. 1000502
Color: blue



Packing Unit
3P Attenuation and Infiltration Filter with 3P Telescopic extension:
Pallet: 12 pieces